



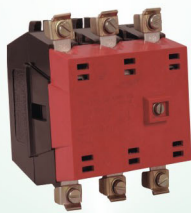
L. V. AIR BREAK CONTACTORS



PC-1.5



IS/IEC
60947-4-1:2000
CML 7391076



PC-3



IS/IEC
60947-4-1:2000
CML 7391076



PK-1



IS/IEC
60947-4-1:2000
CML 7391076



PC-2



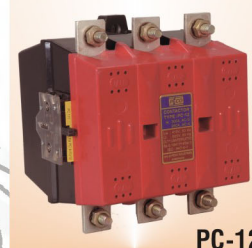
IS/IEC
60947-4-1:2000
CML 7391076



PC-4



IS/IEC
60947-4-1:2000
CML 7391076



PC-12

SALIENT FEATURES

- Contactors type PK-1, PC-0, PC-1, PC-1.5, PC-2, PC-3, PC-4 & PC-6 are ISI marked as per IS :IS/IEC 60947-7-1: 2000.
- Trouble free noiseless operation
- Longer life of contacts under severe condition due to silver alloy contacts.
- 2 NO + 2 NC Axu. Contacts as a standard feature. (Add on contact blocks in case of PC-8, PC-10 to PC-12).
- Easy access to main & Aux. contacts , coil etc for inspection and replacement.
- Unit can be mounted in any position on vertical / Horizontal plane.
- Magnetic cores have very low watt loss and are provided with shading rings to reduce chattering & humming.
- Wide range of coil voltage available
- Optional shroud available for PC-0 and PC-1 while in case of PC-1.5 shroud is provided as a standard feature.
- Spare kit containing main and Aux. contacts available at nominal price.
- Robust and sturdy design suitable for Indian conditions.

www.pecoindustries.com



	PK 1	PC 0	PC 1	PC 1.5	PC 2
CAT. NO.	PC21425	PC21500	PC21501	PC21515	PC21502
MAIN CONTACTS :					
No. of poles	3	3	3	3	3
Thermal rating	15	16 A	25 A	25 A	40 A
Operating current Ie For AC-3 at 415 V; 50 Hz	11A	12A	16A	25A	32A
Motor Duty; 3 Ø 415V; 50 Hz: AC3 Duty	5.5kW/ 7.5hp/11A	5.5kW/ 7.5hp/12A	7.5kW/ 10hp/16A	11kW 15hp/25A	15kW/20hp/ 32A
Operational Current Ie (AC-4 Category) For contact life of 300000 Nos.	6 A	6 A	10.2 A	14 A	17 A
Stator Duty/Rotor Duty/Max.Rotor Voltage	Data available on request		Data available on request		Data available on request
DC rating (3 poles in series) and ac coil operation	DC1/DC3/DC5-110V	10A/10A/10A	16A/16A/16A	25A/25A/25A	32A/32A/32A
	DC1/DC3 -220V	10A/10A/10A	10A/10A/10A	10A/10A/10A	32A/32A/32A
	DC5-220V	7A	7.5A	7.5A	32 A
Mechanical Life : No of Operations		15 X 10 ⁶	15 X 10 ⁶	15 X 10 ⁶	10 X 10 ⁶
Max. Frequency of operation :	Mechanical	3000	3000	3000	2000
	Category AC1/AC2	3000/750	3000/750	3000/750	750/750
Operating cycles/hr	Category AC3/AC4	750/250	750/250	750/250	750/250
Operating Temperature		-20 C ⁰ to +55 C ⁰	-20 C ⁰ to +55 C ⁰	-20 C ⁰ to +55 C ⁰	-20 C ⁰ to +55 C ⁰
Making capacity at 415 V ; Cosφ - 0.45 ; 50 Hz	110A	120A	160A	250A	320A
Breaking capacity at 415 V Cosφ -0.45; 50 Hz	88A	96A	128A	200A	256A
Capacitor switching Δ connected, 415V, *** Single Capacitor	-	3 KVAR	7.5 KVAR	12 KVAR	18 KVAR
Terminal capacity :					
wires up to	6 mm ²	2 x 4 mm ²	2 x 4 mm ²	2 x 4 mm ²	2 x 10 mm ²
lugs up to		16 mm ²	16 mm ²	16 mm ²	50mm ²
AUXILIARY CONTACTS :					
No. of Aux. contacts					2 NO + 2 NC
Operation					Break before make
Nominal rating at 415V; 50 Hz					4 A AC-11 at 415 V
Terminal capacity: wires up to					2 x 2.5 mm ²
AC - 15 Rating at 415 V, 50 Hz		4 A	4 A	4 A	4 A
Making/Breaking Cap. at 415 V, PF-0.35, 50 Hz		80 A / 70 A	80 A / 70 A	80 A / 70 A	80 A / 70 A
COIL :					
Voltages available, Uc	220,240,360,415 V AC				110,
Consumption :					
Pick up	60 VA	62.5 VA	62.5 VA	62.5 VA	125 VA, Cos f -0.4
Hold-on	14 VA (6W)	15.5 VA (5W)	15.5 VA (5W)	15.5 VA (5W)	21 VA (8.5 W)
Limits of Operations Pick - up / Drop - off(% Uc)		75-110/65-15	75-110/65-15	75-110/65-15	75-110/65-15
Closing / Opening Delay in msec		5-35/5-20	5-35/5-20	5-35/5-20	5-35/5-20
OTHER DETAILS :					
Insulation voltage, Ui (V)	500 V	500V	500V	500V	500V
Weight (Open Execution)	775 gm	500 gm approx	500 gm approx	500 gm approx	900 gm To 1.0 kg
Spares kit :					
Cat. No.	SPR 114	SPR 122	SPR 123	SPR 124	SPR 128
Contents	8 fixed contacts,	6 fixed contacts,	6 fixed contacts,	6 fixed contacts,	
	4 moving contacts,	3 moving contacts,	3 moving contacts,	3 moving contacts,	
	screws and washers	screws and washers	screws and washers	screws and washers	
	M.C.Spring				
Pollution Degree	3				
Co-ordination Type	Type - 1				
Switching over voltage = Rated Impulse Withstand Voltage Uimp (KV)	8 KV				
HRC Fuse Link as SCPD	25 A	25 A	32 A	63 A	63 A

* Upto 2 Nos. Add on auxiliary contact blocks (each 1NO + 1NC) can be mounted.

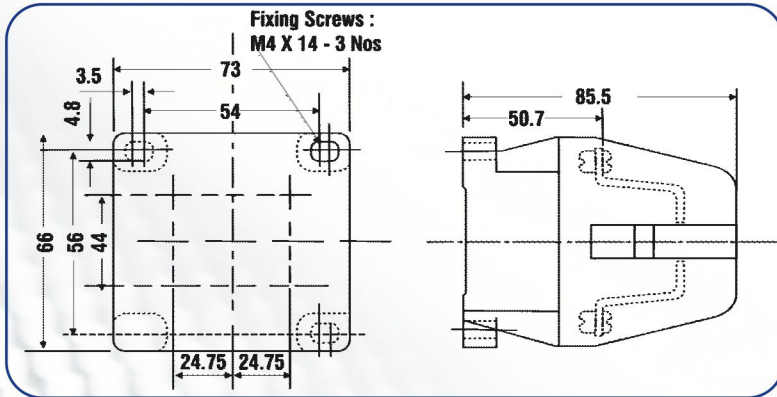
** Upto 4 Nos. Add on auxiliary

PC 3	PC 4	PC 6	PC8	PC 10	PC 12
PC21503	PC21504	PC21506	PC21508	PC21510	PC21512
3	3	3	3	3	3
45 A	100 A	125 A	150A	250A	400A
40A	70A	110A	150 A	200A	300A
22kW/30hp/ 40A	37kW/50hp/70A	55kW/75hp/110A	75kW/100hp/160A	110kW/150hp/200A	165kW/225hp/300A
22.5 A	36 A	48 A	70 A	95 A	115 A
	Data available on request			Data available on request	
40A/40A/40A	63A/63A/63A	85A/85A/85A		200A/200A/200A	300A/300A/300A
40A/40A/40A	63A/63A/63A	63A/63A/63A	80 A / 80 A / 80 A	200A/200A/200A	300A/300A/300A
40 A	63 A	63 A	80 A	200 A	300 A
10 X 10 ⁶	10 X 10 ⁶	10 X 10 ⁶	10 X 10 ⁶	10 X 10 ⁶	10 X 10 ⁶
2000	1200	1200	1200	1200	1200
750/750	1000/500	750/500	750/500	750/500	750/500
750/250	750/250	750/250	750/250	500/250	500/250
-20 C ⁰ to +55 C ⁰	-20 C ⁰ to +55 C ⁰	-20 C ⁰ to +55 C ⁰	-20 C ⁰ to +55 C ⁰	-20 C ⁰ to +55 C ⁰	-20 C ⁰ to +55 C ⁰
400A	700A	1100A	1500A	2000A	3000A
320A	560A	880A	1200A	1600A	2400A
20 KVAR	47 KVAR	60 KVAR	80KVAR	120KVAR	170KVAR
2 x 10 mm ² 50 mm ²	- 50 mm ²	- 95 mm ²	95 mm ²	- 240 mm ²	- 240 mm ²
				2 NO + 2 NC - Standard, 4 NO + 4 NC - Maximum	
				Break before make	
				4A, AC-11 at 415 V	
				2 x 2.5 mm ²	
4 A	4 A	4 A	4 A	4 A	4 A
80 A / 70 A	80 A / 70 A	80 A / 70 A	80 A / 70 A	80 A / 70 A	80 A / 70 A
220, 240 V, 415 V AC, other	voltages on request			415V, 240V, 110V AC	
125 VA, Cos f -0.4	455 VA	455 VA	455 VA	1465 VA	1465 VA
21 VA (8.5 W)	52 VA	52 VA	52 VA	88 VA	88 VA
75-110/65-15	75-110/65-15	75-110/65-15	75-110/65-15	75-110/65-15	75-110/65-15
5-35/5-20	10-35/10-40	10-35/10-40	10-35/10-40	15-45/5-25	15-45/5-25
500V	660V	660V	660V	660V	660V
900 gm To 1.0 kg	3 kg	3.07 kg.	3.1 Kg.	9.1 kg.	9.25 kg.
SPR 129	SPR 133	SPR 134	SPR 153	SPR 138	SPR 139
6 fixed contacts, 3 moving contacts, 3 leaf springs, screws and washers		6 fixed contacts, 3 moving contacts, 6 brackets,3 leaf springs, 6 blowout pieces, screws and wahsers		6 fixed contacts, 3 moving contacts, 6 blowout pieces, 3 leaf springs, screws and wahsers	
80 A	125 A	160 A	Data available on request		

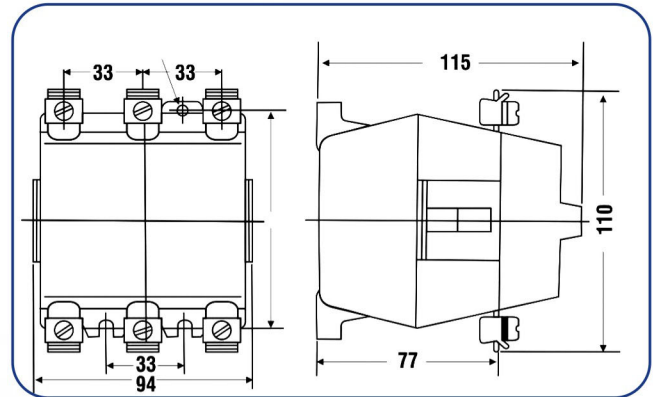
contact blocks (each 1 NO + 1 NC) can be mounted.

*** Please connect inductance in series for capacitor switching

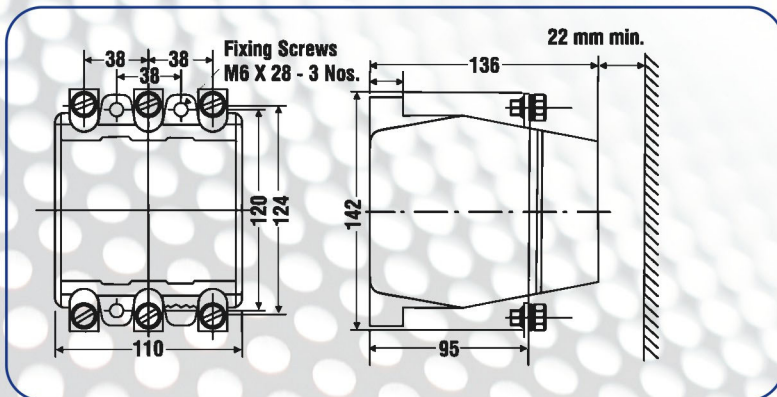
Dimensions in mm



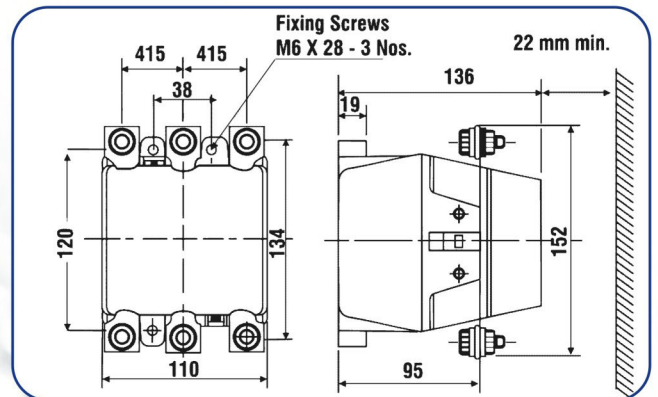
PC 0, PC 1 & PC 1.5



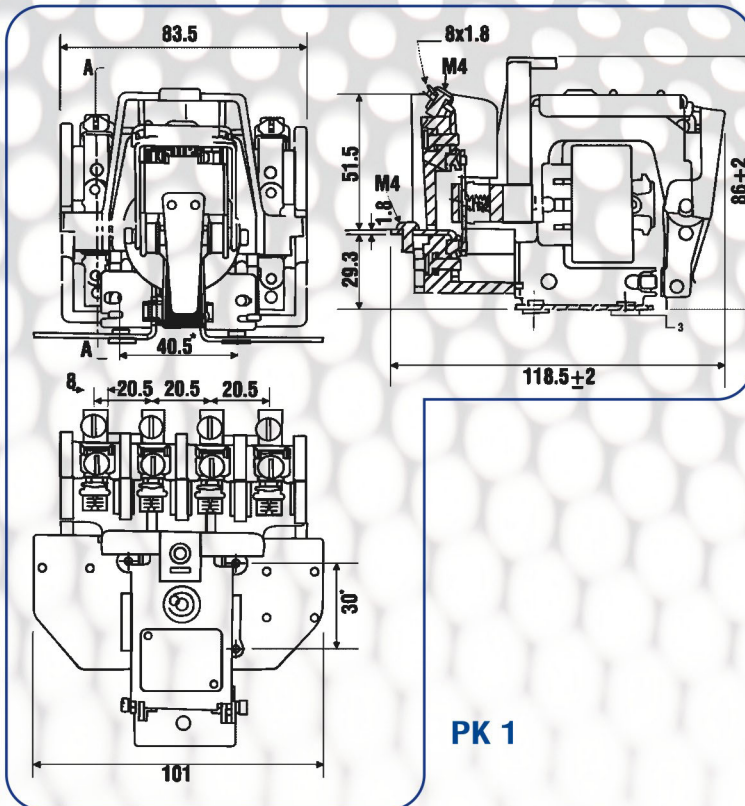
PC 2 & PC 3



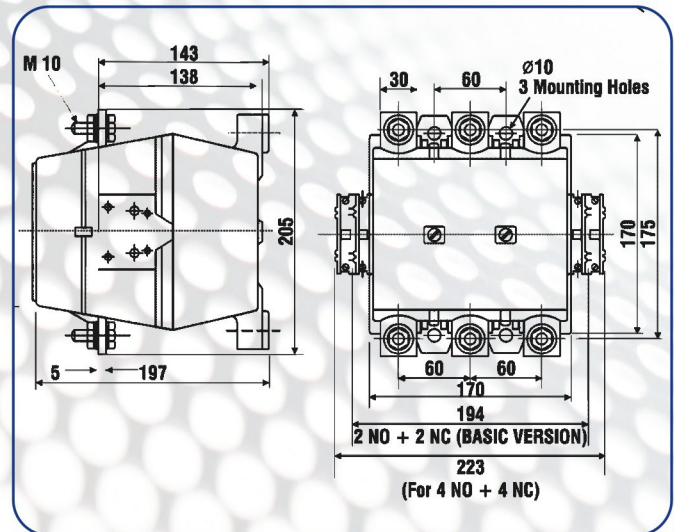
PC 4



PC 6 & PC 8



PK 1



PC 10 & PC 12



PECO INDUSTRIES

14-15, Ramdev Industrial Estate, Nr. Gota Flyover, Gota Road, Ahmedabad-382481. Gujarat, India.

Phone: +91-2717-242327, 242812 Fax: +91-2717-241849 E-mail: peco@pecoindustries.com